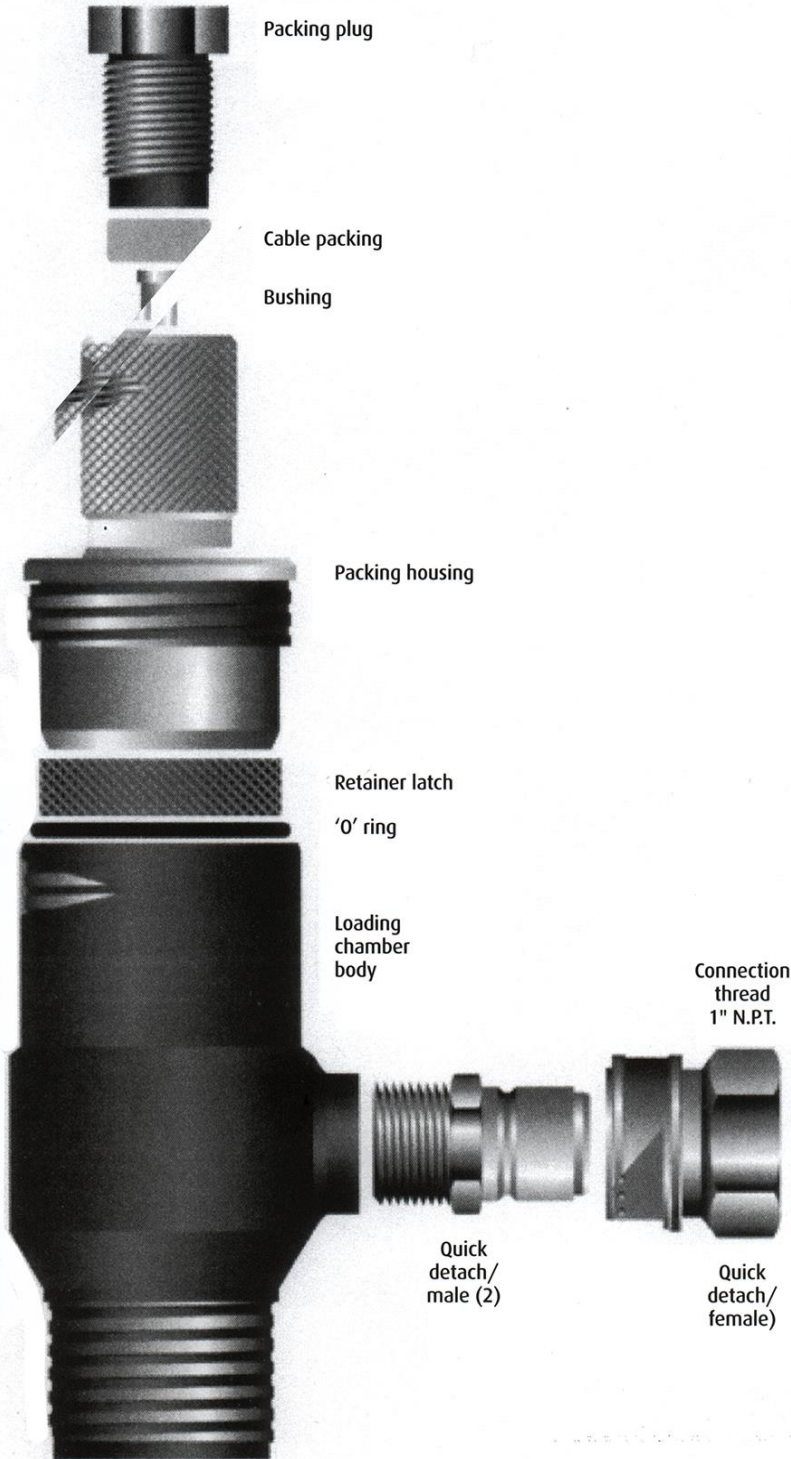


Loading Chamber

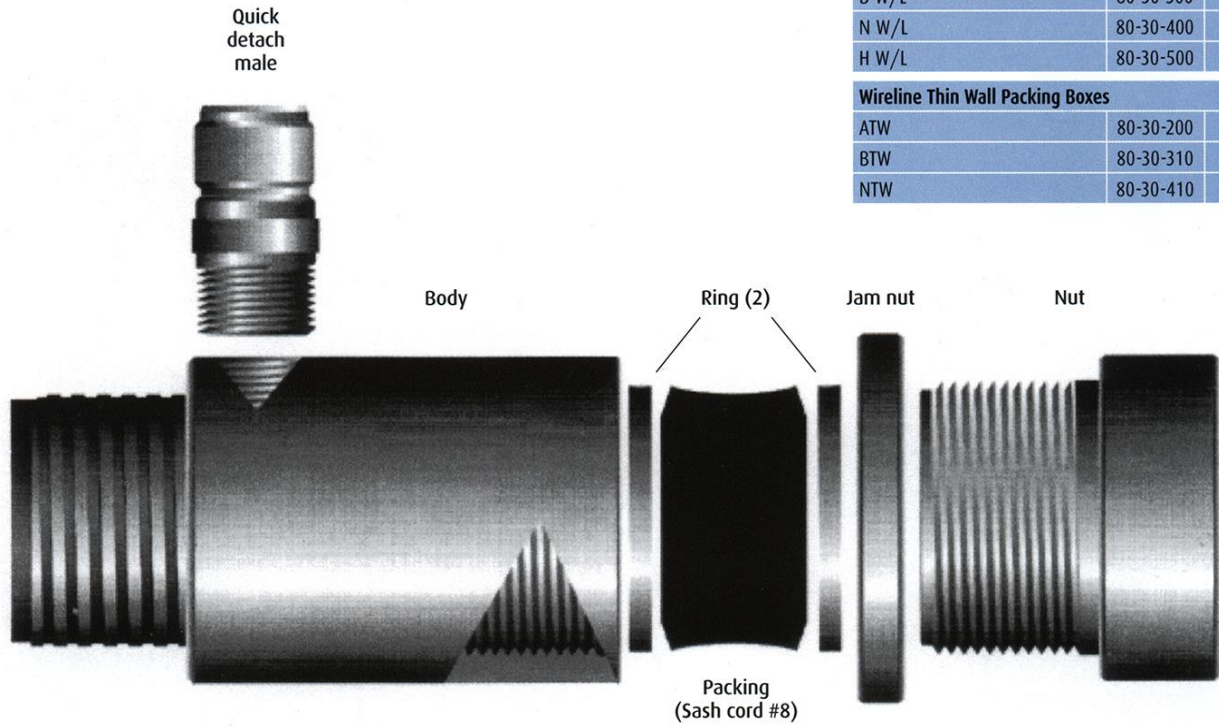


ASSEMBLIES

Description	Part No.	Weight	
		lb	kg
Loading Chamber Assembly			
A W/L-U (3/16")	13-40-200	7.00	3.2
A W/L-U (1/4")	13-40-220	7.00	3.2
B W/L-U (3/16")	13-40-300	8.58	3.9
B W/L-U (1/4")	13-40-320	8.58	3.9
N W/L-U (3/16")	13-40-400	10.90	5.0
N W/L-U (1/4")	13-40-420	10.90	5.0
H W/L-U (3/16")	13-40-500	12.70	5.8
H W/L-U (1/4")	13-40-520	12.70	5.8

Description	Part No.	
'O' ring:	A W/L-U:	14-21-426
	B W/L-U:	13-40-302
	N W/L-U:	13-40-402
	H W/L-U:	13-40-502
Retainer latch:	A W/L-U:	13-40-203
	B W/L-U:	13-40-303
	N W/L-U:	13-40-403
	H W/L-U:	13-40-503
Loading chamber body:	A W/L-U:	13-40-204
	B W/L-U:	13-40-304
	N W/L-U:	13-40-404
	H W/L-U:	13-40-504
Quick detach/male (2):	All sizes:	13-40-206
Quick detach/female:	All sizes:	13-40-207
Packing housing:	A W/L-U:	13-40-208
	B W/L-U:	13-40-308
	N W/L-U:	13-40-408
	H W/L-U:	13-40-508
Bushing (3/16"):	All sizes:	13-40-209
Bushing (1/4"):	All sizes:	13-40-221
Cable packing (3/16"):	All sizes:	13-40-210
Cable packing (1/4"):	All sizes:	13-40-222
Packing plug (3/16"):	All sizes:	13-40-211
Packing plug (1/4"):	All sizes:	13-40-223
Quick detach 'O' ring	All sizes:	13-40-214

Packing Boxes



ASSEMBLIES

Description	Part No.	Weight	
		lb	kg
Wireline Packing Boxes			
A W/L	80-30-200	6.88	3.1
B W/L	80-30-300	10.50	4.8
N W/L	80-30-400	17.45	7.9
H W/L	80-30-500	23.70	10.8
Wireline Thin Wall Packing Boxes			
ATW	80-30-200	6.88	3.1
BTW	80-30-310	10.50	4.8
NTW	80-30-410	17.45	7.9

WIRELINE PACKING BOXES		
Description		Part No.
Nut	A W/L	80-30-201
	B W/L	80-30-301
	N W/L	80-30-401
	H W/L	80-30-501
Body	A W/L	80-30-202
	B W/L	80-30-302
	N W/L	80-30-402
	H W/L	80-30-502
Ring (2)	A W/L	80-30-203
	B W/L	80-30-303
	N W/L	80-30-403
	H W/L	80-30-503
Packing	A W/L	80-30-204
	B W/L	80-30-304
	N W/L	80-30-404
Sash cord #8	H W/L	80-30-504
Quick detach male	All sizes	13-40-206
Jam nut	B W/L	80-30-301A
	N W/L	80-30-401A

WIRELINE THIN WALL PACKING BOXES		
Description		Part No.
Nut	ATW	80-30-201
	BTW	80-30-301
	NTW	80-30-411
Body	ATW	80-30-202
	BTW	80-30-302
	NTW	80-30-412
Ring (2)	ATW	80-30-203
	BTW	80-30-311
	NTW	80-30-413
Packing	ATW	80-30-204
	BTW	80-30-304
Sash cord #8	NTW	80-30-504
Quick detach male	All sizes	13-40-206
Jam nut	BTW	80-30-301A
	NTW	80-30-401A