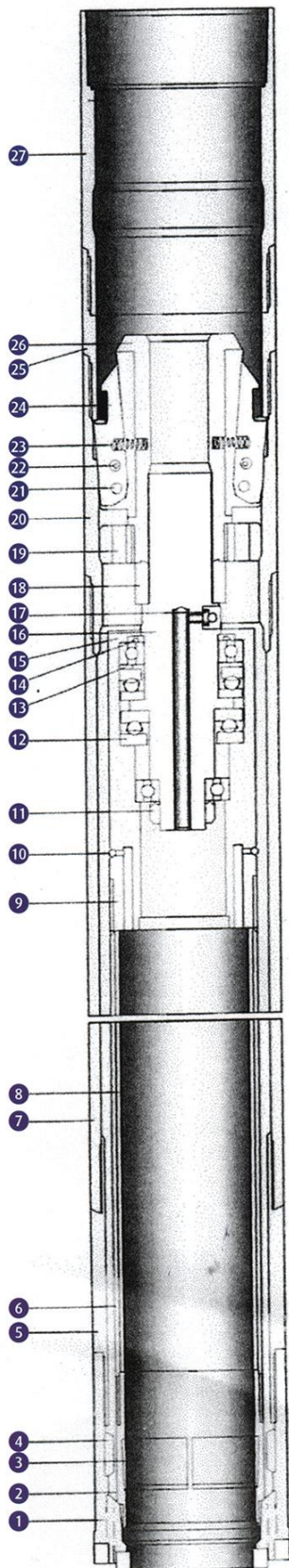


146 Geo Corebarrel

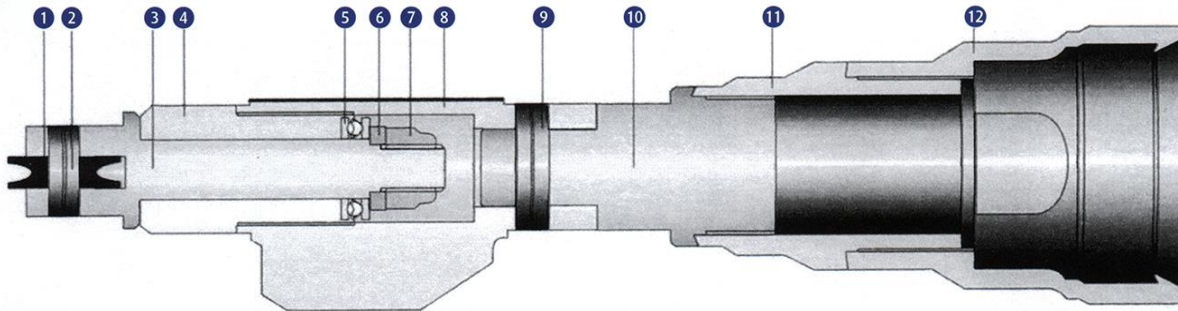


COREBARREL		146 S
Bit	O.D.	146.00 mm
	I.D.	102.00 mm
Reaming Shell	O.D.	146.30 mm
Outer Tube	O.D.	139.80 mm
	I.D.	127.70 mm
Inner Tube	O.D.	117.00 mm
	I.D.	111.00 mm

Type		146 S	
Item	Description	No. Req.d	Part No.
-	Corebarrel Assy. x 3000 mm	-	12-20-730
-	Corebarrel Assy. x 1500 mm	-	12-20-715
-	Inner Tube Assy. x 3000 mm	-	12-20-700
-	Inner Tube Assy. x 1500 mm	-	12-20-732
-	Head Assy.	-	12-20-702
1*	Bit Carbide	1	
2	Corelifter Case	1	12-20-731
3	Corelifter	1	12-20-733
4	Stabilizer	1	12-20-739
5*	Reaming Shell	1	
6	Inner Tube x 3000 mm	One to Suit	12-20-730
	Inner Tube x 1500 mm		12-20-716
7	Outer Tube x 3000 mm	One to Suit	12-20-745
	Outer Tube x 1500 mm		12-20-750
8	Core Liner x 3000 mm	One to Suit	
	Core Liner x 1500 mm		
9	Bearing Housing	1	12-20-714
10	O-Ring	1	12-20-712
11	Lock Nut	1	12-20-710
12	Ball Bearing Set	1	12-20-724
13	Supporting Ring	1	12-20-709
14	Seal Ring	1	12-20-713
15	Sleeve	1	12-20-704
16	Shaft	1	12-20-711
17	Lubricating Nipple	1	12-20-720
18	Locking Nut	1	12-20-717
19	Landing Shoulder	1	12-20-708
20	Landing Sleeve	1	12-20-707
21	Spring Pin	3	12-20-703
22	Spring Pin	3	12-20-706
23	Spring	3	12-20-701
24	Latch	3	12-20-705
25	Support Coupling	1	12-20-735
26	Latch Housing	1	12-20-736
27	Locking Coupling	1	12-20-734

*Parts are not included with the assembly, and must be ordered separately.
 *This design is subject to alteration without notice

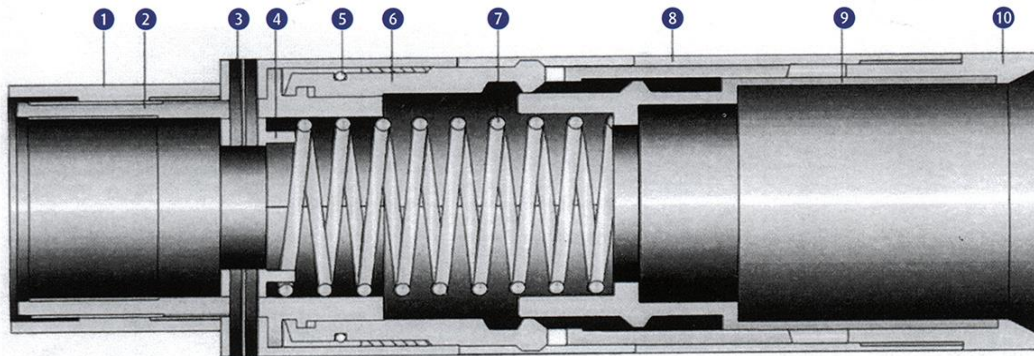
146 Geo Overshot



•This design is subject to alteration without notice

OVERSHOT

TYPE		146 S	
Item	Description	No. Req'd	PartNo.
-	Overshot Assembly	-	12-20-952
1	Wire Attachment	1	12-20-501
2	Spring Pin	1	12-20-506
3	Shaft	1	12-20-511
4	Coupling Shaft	1	12-20-516
5	Ball Bearing	1	12-20-521
6	Washer	1	12-20-526
7	Lock Nut	1	12-20-531
8	Stabilizer	1	12-20-537
9	Spring Pin	1	12-20-541
10	Stabilizer Coupling	1	12-20-547
11	Sleeve	1	12-20-552
12	Catch Sleeve	1	12-20-557



•This design is subject to alteration without notice

DRY HOLE DEVICE

TYPE		146 S	
Item	Description	No. Req'd	Part No
-	Complete Dry Hole Device	-	12-20-962
1	Nut	1	12-20-602
2	Body	1	12-20-607
3	Spring Pin	1	12-20-611
4	Driving Disc	1	12-20-617
5	O-Ring	1	12-20-622
6	Latch	3	12-20-627
7	Compression Spring	1	12-20-632
8	Outer Sleeve	1	12-20-637
9	Inner Sleeve	1	12-20-642
10	Catch Sleeve	1	12-20-647